



JM20339 Hi-Speed USB to SATA Bridge



Description

The JM20339 is single chip solution to bridge between USB 2.0 host and SATA device. The highly integrated USB 2.0 and SATA Phys technology provides a cost-effective solution to apply USB to SATA device enclosure. The USB adheres to the Mass Storage Class Bulk-Only Transport Specification. The embedded command parser supports both ATA and ATAPI command set with LBA48 bit addressing capability.

Features

- Compliance with Gen1i, and Gen1m of Serial ATA II Electrical Specification 1.0
- Support SATA spread-spectrum transmitter
- Support SATA II Asynchronous Signal Recovery (Hot Plug) feature
- Compliance with USB 2.0 (Hi-Speed USB) electrical specification
- Compliance with USB Mass Storage Class Bulk-Only Transport Specification
- Support 480Mbps High Speed (HS) and 12Mbps Full Speed USB operation
- Support ATA/ATAPI LBA48 bit addressing mode
- Support 12MHz external crystal.
- Single-power 3.3V power supply
- 0.18um CMOS technology and 64 -pin LQFP ASSP package

Quick Reference

| | |
|-------------------|---|
| Signal Bit Rate | 1.5 Gbps/SATA and 480 Mbps/USB |
| Spread Spectrum | -0.3% to 0.0 |
| Power Supply | 3.3V |
| ESD Protection | 2000 V |
| Adj. Amplitude | 2 levels |
| Adj. Pre-emphasis | 4 levels |
| Package | 64-pin LQFP |
| Applications | USB & SATA products <ul style="list-style-type: none">• Enclosure system• Storage Subsystem• Portable compact HDD |

Functional Block Diagram

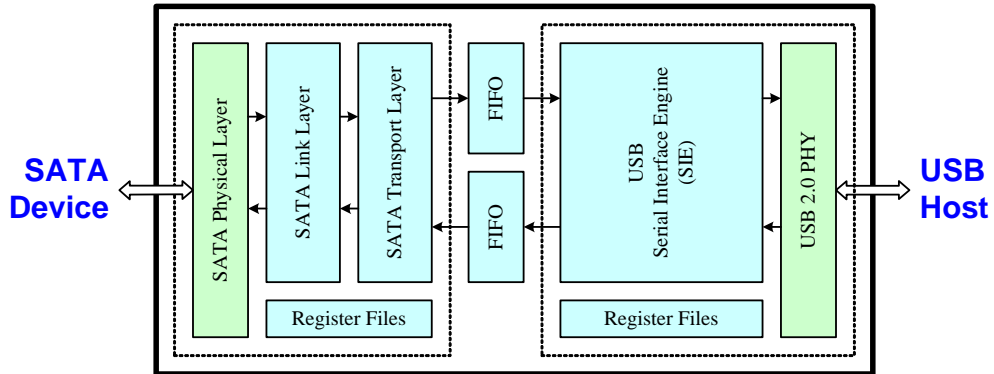


Fig. 1 Functional Block Diagram of JM20339

Applications

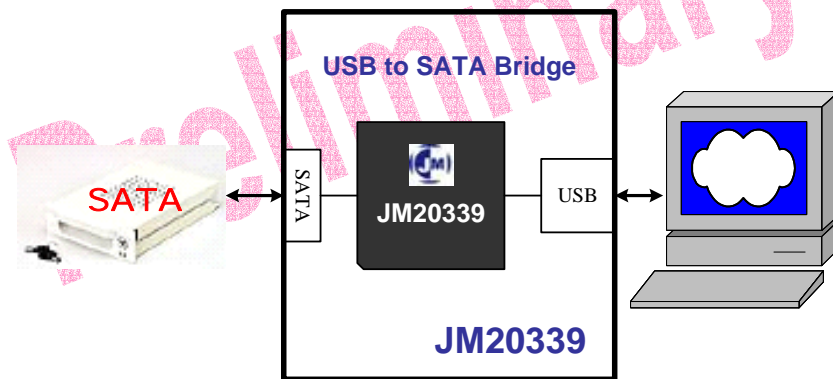


Fig. 2 Hi-Speed USB to SATA device

Product Information

| Name | Description |
|---------|-----------------------------|
| JM20339 | Hi-Speed USB to SATA Bridge |

Design Kit

| | |
|---|----------------------|
| 1 | JM20339 Data Sheet |
| 2 | JM20339 Design Guide |
| 3 | Application EVB |

Contact Information

| | |
|---------------|--|
| Department | Email |
| Sales | sales@jmicron.com |
| Tech. Support | fae@jmicron.com |